

SCISSOR LIFT PLATFORM

3.8 T ELECTRO-HYDRAULIC

Scissor lifts of the S38 series are excellent universal lifts for the reception area, wheel alignment work, for diagnostic workstations (assistance systems) and the repair. Depending on the area of application, the S38 series is available in four

basic configurations, with two different platform lengths and as above ground or underground version.

+ Perfect corrosion protection – cataphoresis dip coating plus powder coating (CAT) provided as standard
+ 3.8 t load capacity at a usable runway length of 4.200 / 4.600 mm

Durable push buttons allow a sensitive operation of the lift.

Documents or tablet computers have their place on the integrated storage area. Also perfectly suited as a writing support.

In all variants, a hydraulic joint play tester is possible – it is installed (factory-set) in the foremost position of the rotary disc recess. The joint play tester complies with the official requirements of the state of Austria.

Perfect corrosion protection – cataphoresis dip coating plus powder coating (CAT) provided as standard.

The standard CE-Stop ensures foot protection without a foot guards and easy floor-level installation.

The fully hydraulic system with integrated self-venting in the “0” position ensures reliable operation.

The control console has an integrated factory pre-assembled hydraulic unit that is connected to the lift and thus contributes significantly to a low maintenance effort. Placement is possible on the left or right.

The main cylinders are equipped with a pneumatically unlockable lowering device. The ratchet strip is screwed and adjustable via screws. This guarantees precise wheel alignment.

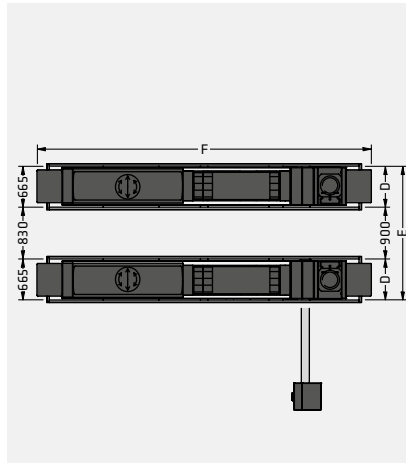
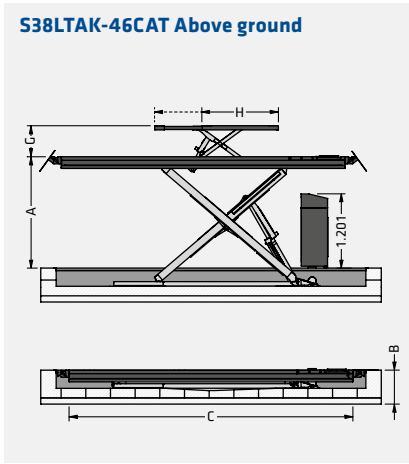
The floor bearings are connected to a stable frame which simplifies correct assembly of the lift.

HIGHLIGHTS IN DETAIL



- 1 Integrated recesses with stainless steel supports in the driving surface allow the inclusion of all commercially available rotary discs. The recesses can be closed completely when no rotary table is used.
- 2 Sturdy plastic balls of the pneumatically lockable sliding plates ensure reliable and smooth operation and ensure a long service life.
- 3 Smartly designed roll-back guards allow the full length of the runway to be used.
- 4 The beaming jacks of all LT models are equipped with an extendable, stepless platform extension to enable flexible pick-up of both small and large vehicles.
- 5 For the use of an additional jacking beam a galvanized track is installed.
- 6 The flat runway allows usage at the headlights adjustment place (not with optional joint play tester).

S38LTAK-46CAT Above ground



Model	S38N		S38NAK		S38LT		S38LTAK	
	42CAT	46CAT	42CAT	46CAT	42CAT	46CAT	42CAT	46CAT
Rated load capacity	3.800 kg	3.800 kg	3.800 kg	3.800 kg	3.800 kg	3.800 kg	3.800 kg	3.800 kg
A Stroke	1.875 mm*	1.875 mm*	1.875 mm*	1.875 mm*	1.875 mm*	1.875 mm*	1.875 mm*	1.875 mm*
	1.805 mm**	1.805 mm**	1.805 mm**	1.805 mm**	1.805 mm**	1.805 mm**	1.805 mm**	1.805 mm**
Lifting time loaded	34 s	34 s	34 s	34 s	34 s	34 s	34 s	34 s
Lowering time loaded	26 s	26 s	26 s	26 s	26 s	26 s	26 s	26 s
B Ascending height / Rest height	265 mm	265 mm	295 mm	295 mm	295 mm	295 mm	295 mm	295 mm
C Length of runways	4.200 mm	4.600 mm	4.200 mm	4.600 mm	4.200 mm	4.600 mm	4.200 mm	4.600 mm
D Width of runways	615 mm	615 mm	615 mm	615 mm	615 mm	615 mm	615 mm	615 mm
E Overall width	2.130 mm	2.130 mm	2.130 mm	2.130 mm	2.130 mm	2.130 mm	2.130 mm	2.130 mm
F Total length	5.021 mm*	5.421 mm*	5.021 mm*	5.421 mm*	5.021 mm*	5.421 mm*	5.021 mm*	5.421 mm*
	5.838 mm**	6.238 mm**	6.014 mm**	6.414 mm**	6.014 mm**	6.414 mm**	6.014 mm**	6.414 mm**
Lifting time - Jacking Beam	-	-	-	-	5 s	5 s	5 s	5 s
Lowering time - Jacking Beam	-	-	-	-	10 s	10 s	10 s	10 s
Rated load capacity of Jacking Beam	-	-	-	-	3.500 kg	3.500 kg	3.500 kg	3.500 kg
G Stroke Jacking Beam	-	-	-	-	502 mm	502 mm	502 mm	502 mm
H Platform length Jacking Beam	-	-	-	-	1.392-2.005 mm		1.392-2.005 mm	
Driving power	2.6 kW	2.6 kW	2.6 kW	2.6 kW	2.6 kW	2.6 kW	2.6 kW	2.6 kW
Power supply voltage (electrical)	400 V,	400 V,	400 V,	400 V,	400 V,	400 V,	400 V,	400 V,
	60 Hz	60 Hz	60 Hz	60 Hz	60 Hz	60 Hz	60 Hz	60 Hz
Compressed air connection	6-10 bar	6-10 bar	6-10 bar	6-10 bar	6-10 bar	6-10 bar	6-10 bar	6-10 bar
Weight	1.315 kg*	1.375 kg*	1.565 kg*	1.625 kg*	1.655 kg*	1.715 kg*	1.675 kg*	1.735 kg*
	1.390 kg**	1.450 kg**	1.640 kg**	1.700 kg**	1.730 kg**	1.790 kg**	1.740 kg**	1.800 kg**

* In ground, ** Above ground

AK = For wheel alignment, LT = With wheeled lift, LTAK = For wheel alignment with wheel free lift

ACCESSORIES



- Rubber Pads, T4, high 80 mm, 4 pieces
- Rubber Pads, T4B, high 40 mm, 4 pieces
- Articulation clearance testing device, hydraulic, not retrofit available
- Drive-On Ramp for above-ground installation
- Illumination Kit, 4 LED units, 24 V
- Jacking Beam RJ-X26-4, Capacity 2.600 kg