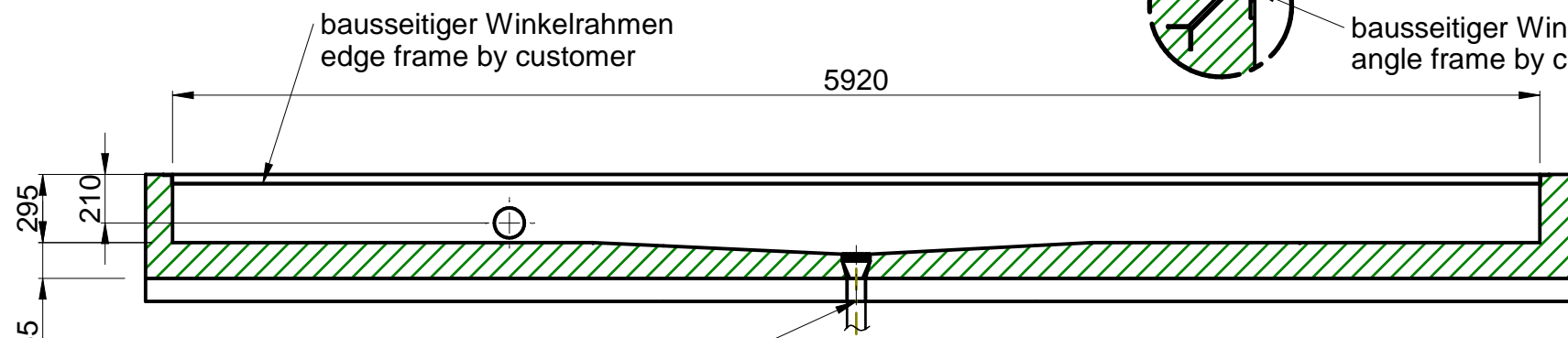


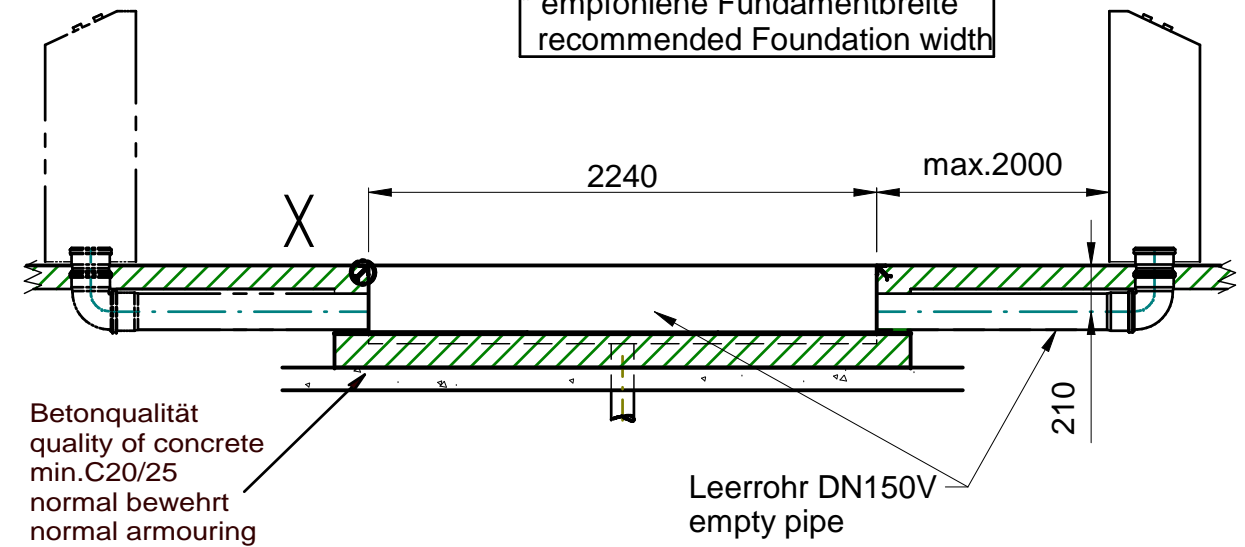
Schnitt A-A Cut A-A

Detail X



Version: Unterflurklappe direkt an Fahrschiene
Version: inground ramp directly fixed at the platform

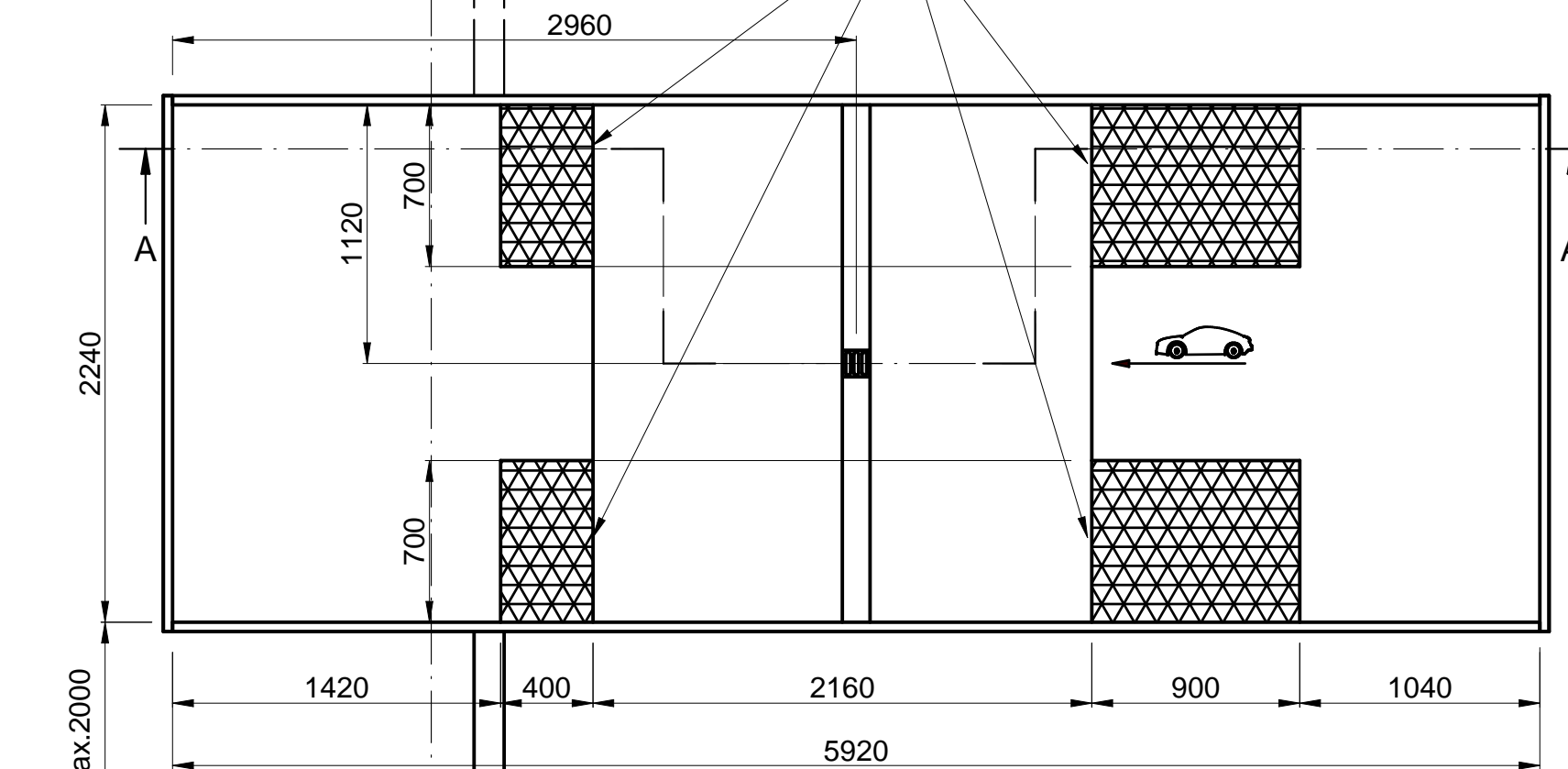
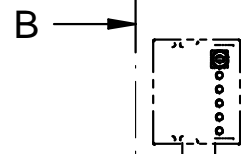
* empfohlene Fundamentbreite
recommended Foundation width



Schnitt B-B Cut B-B

Wasserabfluss DN100 in der Vertiefung empfohlen
Wateroutlet DN 100 in the pit recommended

die schraffierten Flächen müssen in sich und zueinander absolut eben sein
the hatched surfaces must be absolutely even with the each other



Bauseits am Bedienpult bereitstellen:
Netzanschluss: 3PH,N+PE,400V,50Hz
Motorleistung: 3kW
Absicherung: 16 Ampere träge
Kabellänge: ca.2m, 5x2,5mm²
Druckluft R3/8" oder Schlauch DN10, 6-8 bar

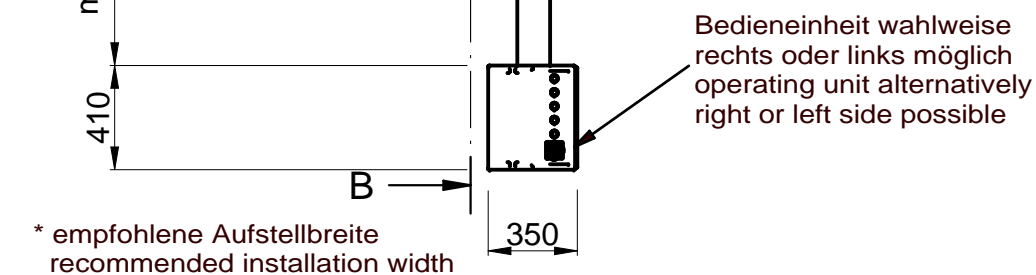
Prepared by customer at the main operating unit:
power supply: 3PH,N+PE,400V,50Hz
Motor power 3kW
fuse: 16 Ampere, time lag
cable diameter: 5x 2,5m²
cable length: approx.2m
optional: R3/8" or hose DN10, 6-8bar

Wir weisen in unseren Plänen auf die Mindestanforderung des Fundamentes hin, jedoch der Zustand der örtlichen Gegebenheiten (z.B. Untergrund, Ausführung etc.) obliegt nicht unserer Verantwortung. Die Ausbildung der Einbausituation muss vom planenden Architekten bzw. Statiker im speziellen Fall individuell spezifiziert werden.

We point out the minimum requirement of the foundation in our plans. The condition of the local realities for example: the ground under the foundation) does not lie in our responsibility. The execution of the installation situation must be individually specified by the planning architect or by the engineer engaged in statically calculations in the special case.

Alle Maße in Millimeter
all dimensions in millimeter

Maß- und Konstruktionsänderungen vorbehalten!
subject to alterations!



| REV | CO NUM | DATE | BY |
|-----|--------|------|----|
| | | | |
| | | | |
| | | | |
| | | | |
| | | | |
| | | | |
| | | | |
| | | | |
| | | | |
| | | | |

| | |
|--|--|
| UNLESS OTHERWISE NOTED: ANGULAR DIMENSIONS: +/- 1 OTHER DIMENSIONS: +/- 0.8mm (< 305mm) +/-1.6mm (> or= 305mm) | THIRD ANGLE PROJECTION |
| DO NOT SCALE DRAWING | UNLESS OTHERWISE SPECIFIED: 0.8mm MIN. CORNER BREAK REMOVE ALL BURRS |
| NOTES: Tragfähigkeit/capacity: 5000 kg | |
| The design and detail illustrated in this drawing is the property of Vehicle Service Group. It is being loaned with the expressed condition that it will not be duplicated or used except by permission and is subject to return upon request. | |

| | | |
|---|--------------------------------------|-------------------------|
| S50LT-LTAK-55CAT-I S50LT-LTAK-55CAT-PD8-I Rectangle Foundation Plan | | |
| | | |
| DRAWN M.D. | DATE 02.04.2021 | SHEET DRAWING NUMBER |
| APPROVED | S50LT/LTAK-55CAT-I/PD8_I_(059208930) | |