

# LIFTING TABLE

## AGGREGATE LIFTING TABLE

Universal lifting table with 2 t lifting capacity. Suitable for safe and convenient removal and installation of engines, transmissions, HV batteries and chassis components, even with heavy loads. Developed from 20 years of experience in the design and

production of lift tables in cooperation with leading automotive manufacturers.

- + Large load capacity for large vehicle components
- + Integrated tool storage
- + Easy and flexible handling

14 holes on the left and right sides of the tabletop provide ample opportunities for secure and flexible attachment of tools

Wide range of accessories (sold separately) makes the lift table an indispensable, versatile workshop helper

Mobility at the workplace thanks to large castors and parking brakes

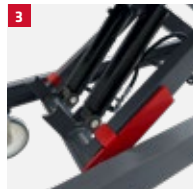


2 t load capacity for working even on large vehicles

The vertically movable and removable handle allows optimal positioning of the lift table under the vehicle

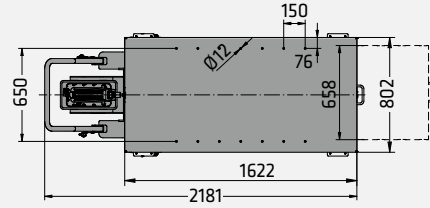
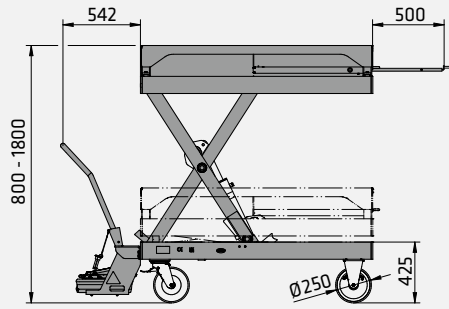
Leichtes Manövrieren mit Last dank der kugelgelagerten Kunststoffrollen

## HIGHLIGHTS IN DETAIL



- 1** Fixed mounting plate with 2x7 holes for secure attachment of various mounts.
- 2** Integrated, extendable tool tray under the mounting plate for even more efficient work - all tools within reach.
- 3** Standard maintenance supports allow safe working during maintenance of the lift table.
- 4** Air-hydraulically controlled load lift for fast and effortless lifting. Stepless, precise metering of the lowering speed thanks to the adjustable lowering brake valve.
- 5** Easy maneuvering and safe parking thanks to two swivel castors with integrated parking brakes.

## MGE 2.0



Model	MGE 2.0
Capacity	2000 kg
Stroke	1000 mm
Max. lifting height	1800 mm
Max. lifting length	1622 mm
Max. width	800 mm
Min. height	800 mm
Surface coating	Powder coated
Corrosion preventing	Ultra High Solid Primer (UHS)
Length	2181 mm
Width	802 mm
Weight	460 kg
Article number	130373

# SPECIFICATIONS

## ACCESSORIES



Item No 3136



Item No 103802



Item No 107856



Item No 103544

**1 GA passenger car:** Universally applicable for passenger cars. Particularly suitable for automatic transmissions. Tensioning strap to secure the load, large rubber supporting surface, load capacity 400 kg, Ø 35 mm pin, dimensions 300 x 240 mm (only applicable in combination with universal adapter, Item no. 103544).

**2 Aggregate plate with supporting arms:** Particularly versatile aggregate plate for the removal and installation of engines, transmissions, axles, exhaust systems, etc. Extendable supporting arms with integrated threaded spindles and numerous support components allow easy adaptation to different mounting requirements.

**3 Universal aggregate support:** Quick and safe removal & installation of the complete integral support frame, with all units in connection with the Master Gear series lifting tables. A tension strap, yellow-chromated is used to secure it.

**4 Universal support Ø 35 mm:** Fitted with a bushing, a mounting hole Ø 35 mm suitable for holding various tools, such as the transmission plate GA passenger car.