

# THE WAY TO THE FUTURE

## TOMORROW SERIES

Revised technology shaping a modern design. The 2-post lifts of the **Tomorrow Series** of Rotary raise your workshop immediately into the future.

- + **MODERN DESIGN:** clean and linear column profile with internal carriage
- + **INNOVATIVE DNA:** long-standing high-quality components and tested for 20000 cycles
- + **SPACE OPTIMISATION:** ultimate ergonomics thanks to the electronic foot guard

Overhead cable crossing.



Tested for 20000 cycles.

Electronic synchronization.

The geometry of the arms was designed to lift anything from city to longwheelbase cars.

Quick nut replacing. New motor plate that allows to remove the screw from the front side of the column with the column standing.

Short 3-stage arms and long 2-stage arms with quick fit telescopic rubber pad.

Internal carriages running on lubricated sliding guides, protected from the external environment, that ensures a longer life to the sliding elements.

Capacity

**3.2 t**

## HIGHLIGHTS IN DETAIL



- 1** Wide rubber protected areas.
- 2** Switch operated lifting control.
- 3** Equipped with an acoustic anti toe trap system. Free from mechanical foot guards.
- 4** Premium quality of components.
  - + Aluminium pulley with cooling function.
  - + Long lasting bearings.
  - + 50% longer bronze load nut.
  - + Motors with reinforced and cooling casing.
  - + Solid automatic arm locking.
- 5** A pair of outrigger plates for floors not compliant with installation requirements is available upon request.



#### QUICK AND EASY OPERATIONS

The work bay is free of obstacles and all operations can be performed safely and comfortably.



#### QUICK INSTALLATION

Up to 20% improvement in installation time. The electronic synchronization avoids the installation and adjustment of the realignment cable. Possibility to install without gantry since cables can be placed inground.



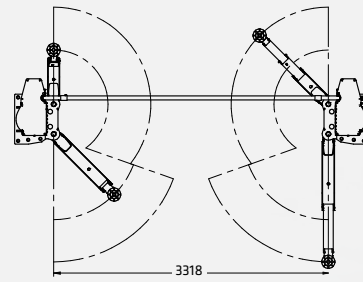
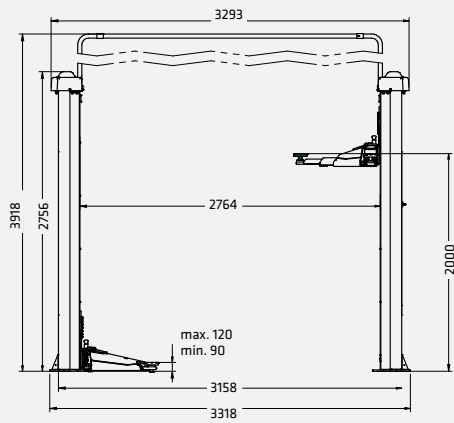
#### MINIMUM ROUTINE MAINTENANCE

The operating parts are designed for easy replacement or maintenance, reducing the cost of ownership and the risk of error on safety critical components.



#### GUARANTEED SAFETY AND QUALITY OVER TIME

The lift is equipped with premium components that guarantee durability and maximum safety for the operator.

**SPM32-E**

Model	SPM32-E
Capacity	3200 kg
Max. lifting height	2000 mm
Lifting time	42 s
Min. pad height	90 mm
Max. pad height	120 mm
Column height	2756 mm
Drive-through width	2468 mm
Min. ceiling height	4050 mm
Arm layout	asymmetric
Min. front arm length	511 mm
Max. front arm length	914 mm
Min. rear arm length	805 mm
Max. rear arm length	1203 mm
Width	3318 mm
Height	3918 mm

	Item no.	Control	Driving power	Power supply
SPMA32-E	ROT.SP32E.198273	rotating switch	2x2.6	400 V   50 Hz



# ACCESSORIES



**1** Kit containing 8 spacers for pads. 4 spacers x H 89 mm + 4 spacers x H 127 mm, 2 spacer support brackets.

**2** Kit containing 4 spacers for pads. 4 spacers x H 200 mm, 2 spacer support brackets.

**3** Kit with frame adapters. 1 set with 4 pieces.

**4** Kit with U-shaped pads. 1 set with 4 pads.

**5** Kit with pads for TESLA vehicles. 1 set with 4 pads.

**6** Kit with pads for Fiat 500E, 500 ABARTH. 1 set with 4 pads.

**7** Kit with pads for MEB platform. 1 set with 4 pads.

**8** Outrigger plates kit (3.2 t). Set of 2 plates, allowing installation on floors with poor capacity or lower concrete thickness.

**9** Kit for increasing overhead cable passage height. Up to +1.5 m.

**10** Eyebolt for handling columns (3.2 t - 3.5 t - 4.2 t). It facilitates installation of the lift, can be used again for other installations.

**11** Inground cable connection kit. Allows columns connection cables to be placed inground, eliminating the overhead connecting pipes and height restrictions. Ideal for workshops with low ceilings.

**12** Vehicles lift platforms kit. 1 set with 4 ramps, ramp height 60 mm.

**13** Kit of stands for alignment. 1 set with 4 stands.

**14** Magnetic tray. 1 set with 2 trays.

**15** Mercedes G class support pads kit. 1 set of 4 pads.

**16** Sprinter/crafter support pads kit. 1 set with 6 pads, for Mercedes Sprinter and Volkswagen Crafter old and new series.

**17** Ducato/boxer/jumper support pads kit. 1 set of 4 pads, 2 front and 2 rear.