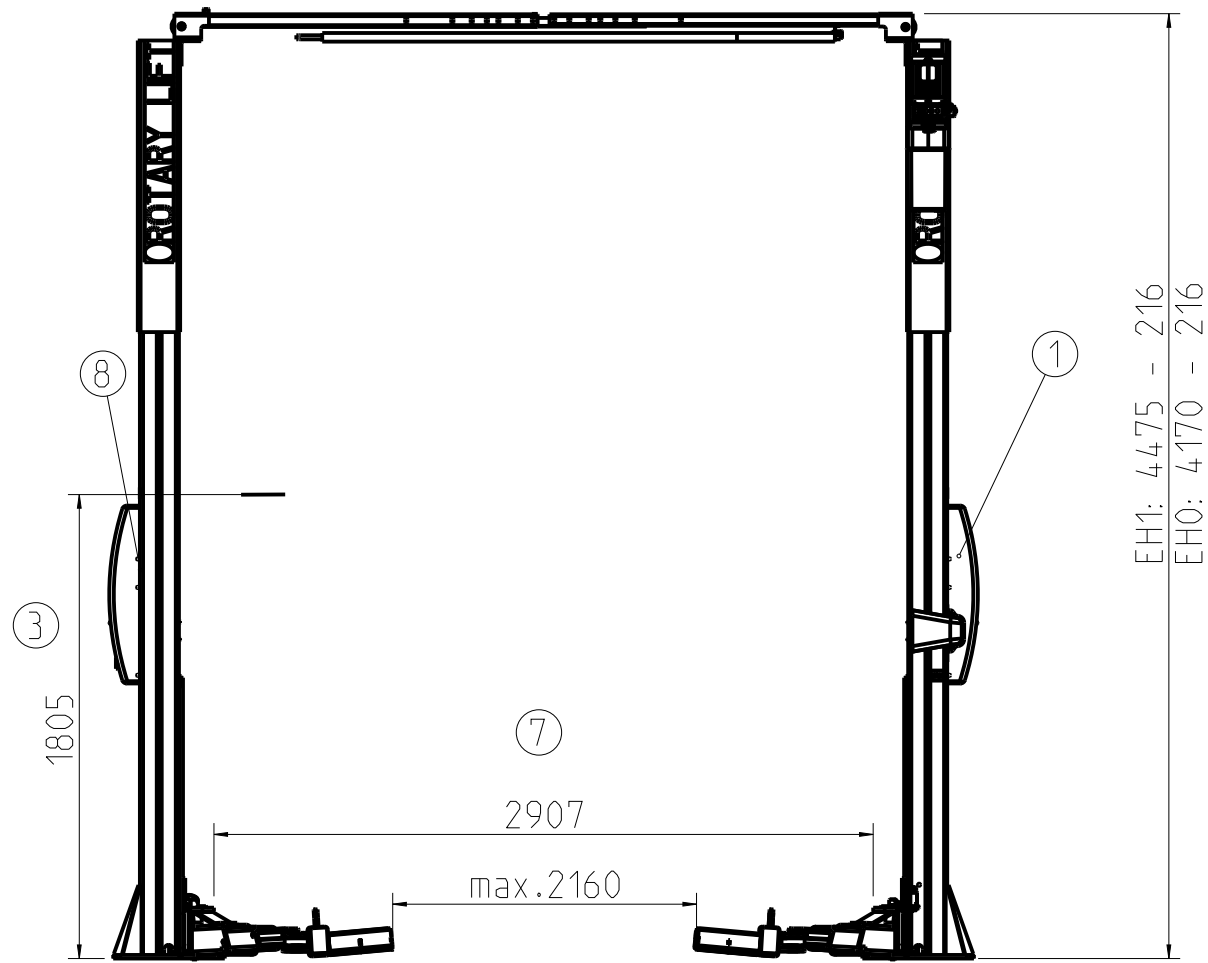
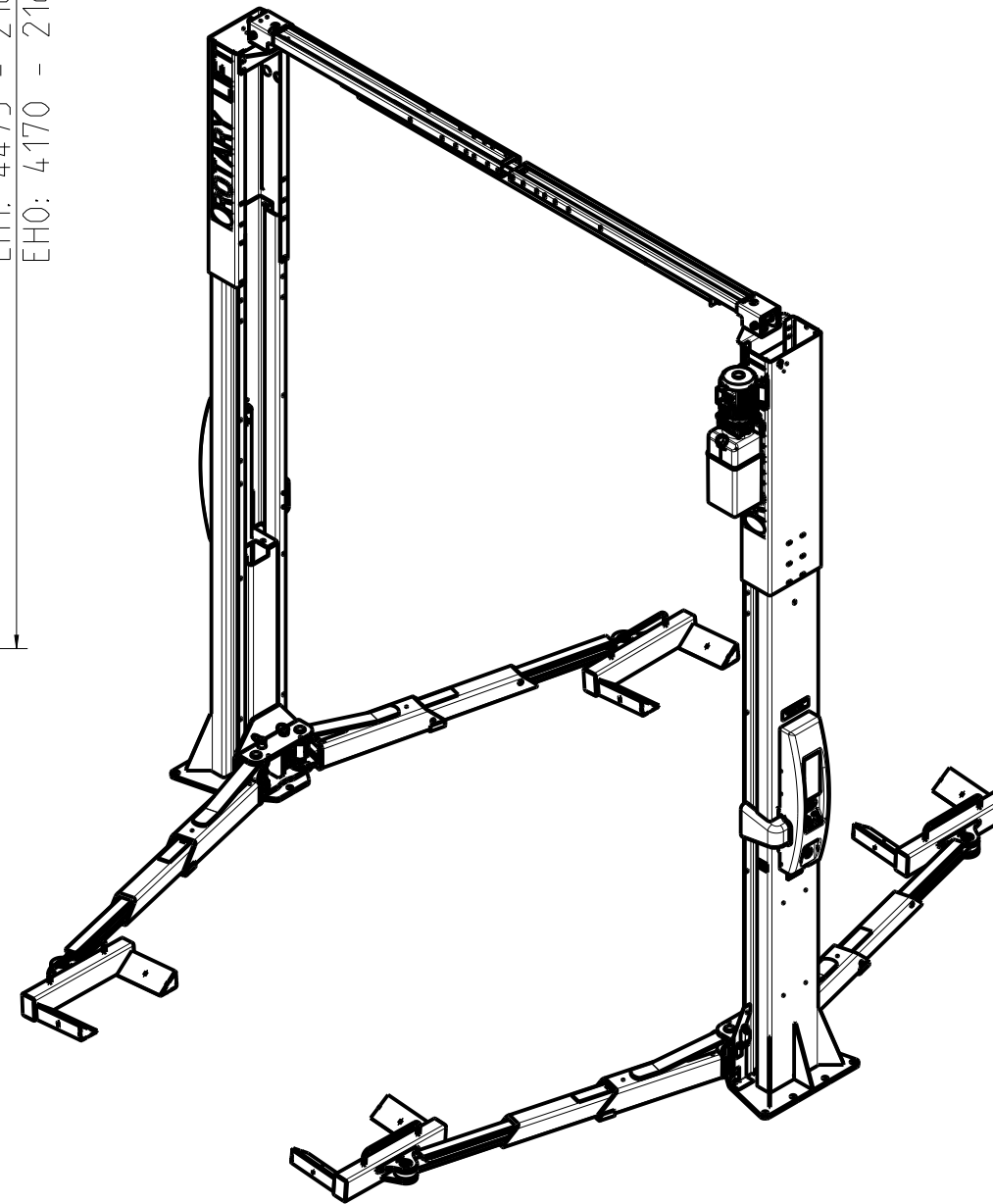


Tragfähigkeit 4x1000 kg.
Lifting capacity 4x1000 kg.
capacité de levage 4x1000 kg.



EH1: 4475 - 216
EH0: 4170 - 216



M 3:100

① Steuereinheit E- Anschluß 3Ph/400V/50Hz/3kW
. Schutzart IP 54, Luftanschluß
control unit electric supply 3Ph/400V/50Hz/3kW
. protection IP 54. air plug
unité de comande raccordement électrique
3Ph/400V/50Hz/3kW, protection IP 54, raccordement air

② Radgreifer
wheel adapter
pince de roue

③ Hub 1805 mm- Hubzeit: ~60 sec
stroke 1805 mm- lifting time: ~60 sec
hauteur de levage 1805 mm- temps de levage:~30 sec

④ Tragarm vorne 790 - 1700 mm
front lifting arms 790 - 1700 mm
bras porteur l'avant 790 - 1700 mm

⑤ Tragarm hinten 790 - 1700 mm
rear lifting arms 790 - 1700 mm
bras porteur arrière 790 - 1700 mm

⑥ Hydraulikaggregat
hydraulic power unit
L'agrégat d'hydraulique

⑦ Durchfahrbreite 2907 mm
clearance width 2907 mm
largeur de passage 2907 mm

Wenn kein befestigter Untergrund vorhanden ist,
mind. Fundamentgröße 4300x2500x200
Betonqualität B25(C25/20) mit Bewehrung
if no solid floor is available, the foundation must be
at least 4300x2500x200
Concrete quality B25 (C25/20) with reinforcement in concrete
s'il n'y a pas de fondation fixes la dimension mini.des
fondations est de 4300x2500x200
qualité du beton B25(C25/20) avec beton arme

⑧ 2. Bedienteil, Steckdose
2. control unit, socket
2. unité de commande, prise de courant

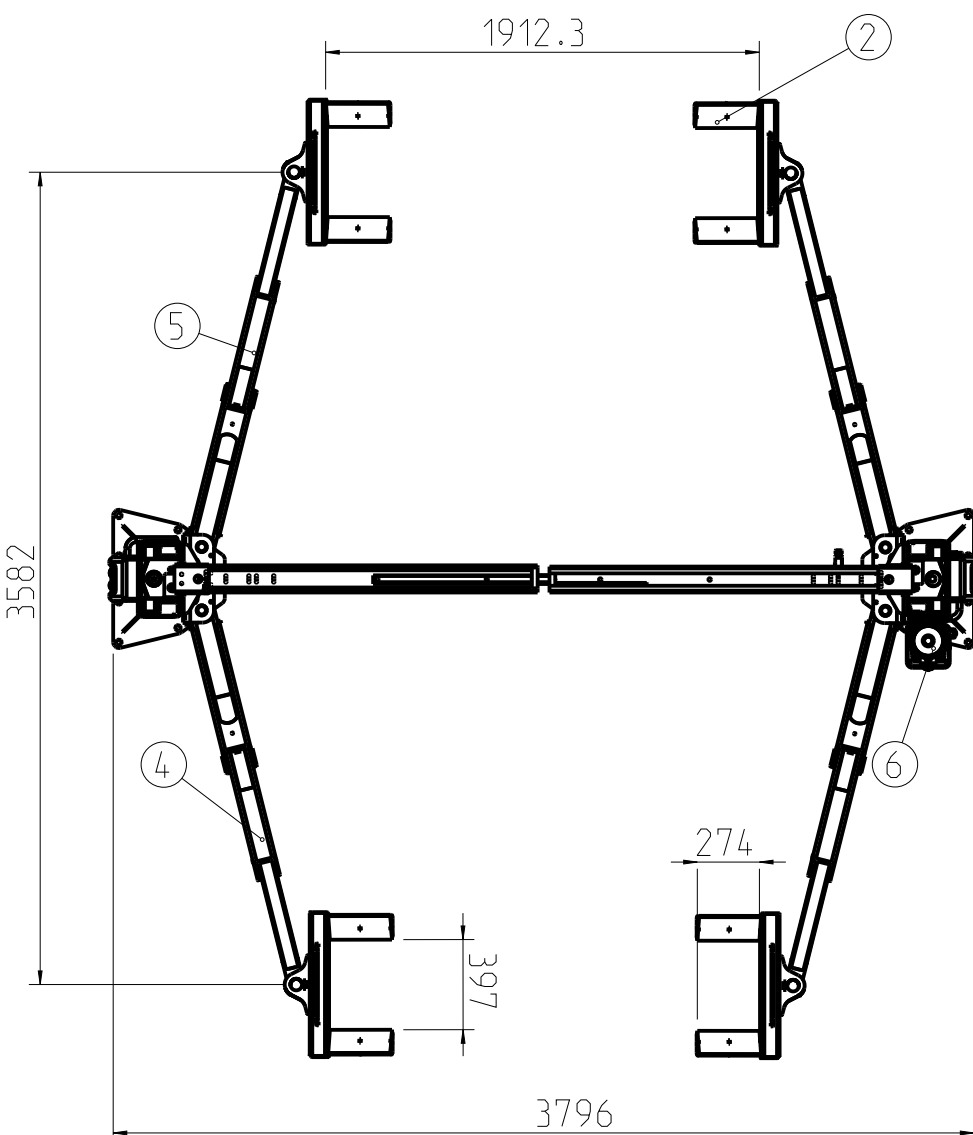
Tragfähigkeit 1000 kg je Rad-Aufnahme.
Lifting capacity 1000 kg each wheel adapter.
capacité de levage 1000 kg par ramassage.

Teil 126825 erforderlich
Part 126825 necessary
Partie 126825 requise

Extension um 216 mm niedriger setzen und Distanzrohr verwenden für Ausgleichsseil.
Lower the extension by 216 mm and use a distance tube for synchronization cable.

Flächenpressung $p=1.14\text{daN/cm}^2$
surface pressure $p=1.14\text{daN/cm}^2$
pression de surface $p=1.14\text{daN/cm}^2$

Konstruktionsänderungen vorbehalten.
Für Bauplanung neuestes Maßblatt anfordern!
we reserve the right to technical modifications.
please request latest scale drawings for construction purposes!
Sous réserve de modifications techniques. Pour la planification
de construction, prière de demander des croquis côtés



				ALL DIMENSIONS IN MILLIMETERS		THIRD ANGLE PROJECTION		SPO55-Radgreifer Specification	
				UNLESS OTHERWISE NOTED: ANGULAR DIMENSIONS: $\pm 1^\circ$ OTHER DIMENSIONS: $\pm 0.8\text{mm}$ (<305mm) $\pm 1.6\text{mm}$ (>or= 305mm)		DO NOT SCALE DRAWING UNLESS OTHERWISE SPECIFIED: 0.8mm MIN. CORNER BREAK REMOVE ALL BURRS		ROTARY LIFT A DOVER COMPANY	
				NOTES: SPO55E				DRAWN hp SCALE 3:100 SHEET 2 of 3 DRAWING NUMBER	
				The design and detail illustrated in this drawing is the property of Rotary Lift. It is being loaned with the expressed condition that it will not be duplicated or used except by permission and is subject to return upon request.		APPROVED DATE 5-5-21		SPO55_RADGR	
REV	CO	NUM	DATE	BY					