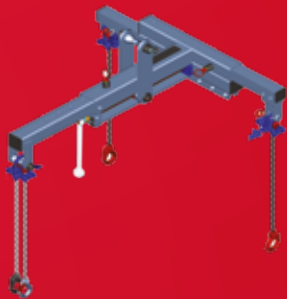


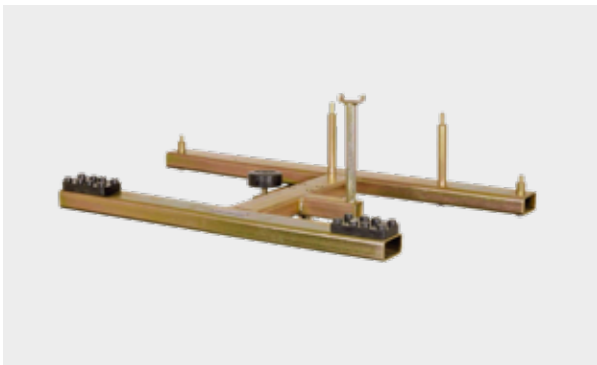
WORKSHOP EQUIPMENT SPECIAL TOOLS





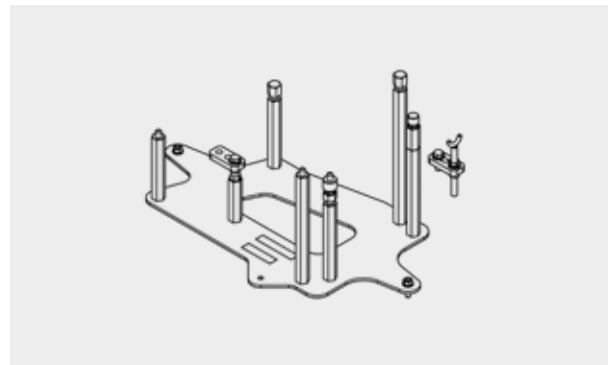
Art. Nr. 114855
Transmission/Motor/Battery lifting table
Master Gear S3 1.0

Universally adjustable due to their design, modern vehicle motor or power units can only be removed and reinstalled from the underside of the vehicle. With the multi-adjustable and tiltable mounting plate, VarioDesk, the Master Gear grows along with its tasks. Even complete exhaust systems can be easily installed by one person.



Art. Nr. 3745850
Mounting device for power units
(Vito with V6 petrol engine) V00-2

For Vito with V6 petrol engine Quick and safe removal and installation of the complete integral subframe and all power units in conjunction with a BLITZ transmission jack (e.g. Master Jack 2.5) and a 2-post lift, secured by means of a strap, pin Ø 35 mm. Yellow chromated, Weight: 20 kg, Load capacity: 500 kg.



Art. Nr. 108260
Motor support 454 cdi
(smart)

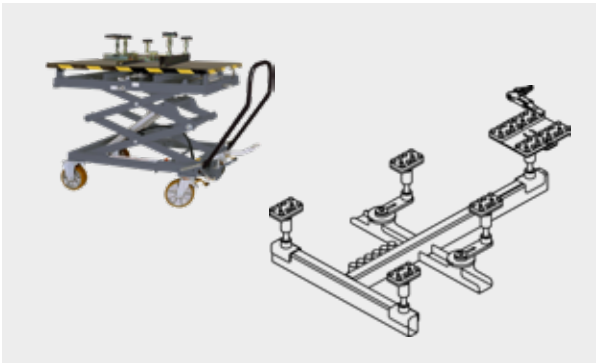
Quick and safe removal and installation of the complete integral subframe and all power units in conjunction with a BLITZ Master Gear 0.5 t or 1.0 t lifting table. Yellow chromated, Weight: 10 kg, Load capacity: 180 kg.



Art. Nr. 126799

**Transmission/Motor/Battery lifting table
MGO**

Ideal for the removal and installation of engines, gearboxes, HV batteries, and chassis components. Also perfect for use as a workbench. The tabletop is divided 60:40, and the smaller section can be extended by 100 mm. It can be tilted by +/- 3.5° in both the longitudinal and transverse directions. The tabletop features 104 threaded holes in order to screw in tools easily. Large, 360° swivelling wheels for easy manoeuvring, even with a load.



Art. Nr. 107856

**Universal motor
support**

Quick and safe removal and installation of the complete integral subframe. Compatible with all of the following units, in conjunction with a BLITZ Master Gear 1.0 t lifting table. For the following units: W221, W164, W209, R171, R230, R251 Galvanised according to DBL 8451.15, Weight: 42 kg, Load capacity: 800 kg. Utility model protection Germany No. 20 2005 000 834.6.



Art. Nr. 103544

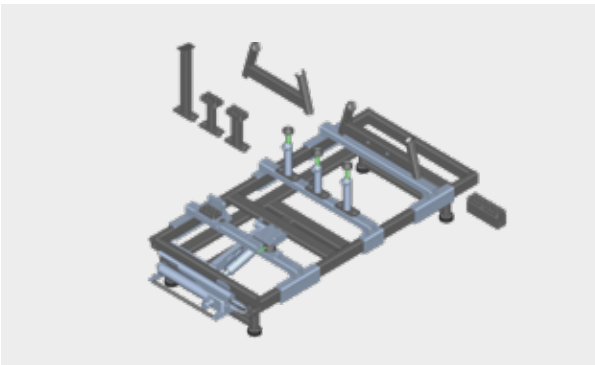
**Universal support
D35MM**

The universal support serves as a connecting tool between the gear plate/special tool and the MASTER GEAR lifting table; in the work area of the 2-post lift or a DUPLEX underfloor platform universal support (bushing) Ø 35 mm. Weight: 7 kg.



Art. Nr. 131000
MGE 2.0 lifting table

Universal lifting table with a 2 t load capacity. Suitable for safe and easy removal and installation of engines, gearboxes, HV batteries, and chassis components, even in the case of heavy loads. Developed based on 20 years of experience in the design and production of lifting tables in cooperation with leading automobile manufacturers.



Art. Nr. 113105
Mounting fixture for bus engines (MB engines) W906/457

For bus engines (MB engines) For installing and removing the complete aggregate unit. A wide range of adaptation and adjustment options, ensuring optimal and safe mounting. Weight: 256 kg, Load capacity: 1.4 t.



Art. Nr. 3745800
Mounting device for motors (Vito BR 618/639) V00

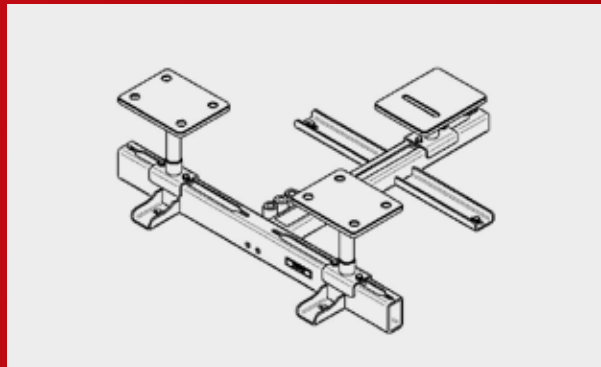
Quick and safe removal and installation of the complete integral subframe and all units in conjunction with a BLITZ transmission jack (e.g. Master Jack 2.5) and a 2-post lift, secured by means of a strap, pin Ø 35 mm. Yellow chromated, Weight: 20 kg, Load capacity: 500 kg.



Art. Nr. 109362

Transmission and motor jack Junior Jack 2.0 S2

BlitzRotary transmission jacks boast an impressively simple and well thought-out operating concept - without compromises. The perfect helper in the workshop. 2.0 t, 1100 mm stroke, pneumo-hydraulic. The large cylinder stroke supports the safe removal of vehicle assemblies. Chassis with four swivel wheels, two of which have parking brakes to prevent unintentional rolling away. Pushbuttons for pneumatic fast lift ensure that the piston rod approaches the load pick-up point quickly.



Art. Nr. 130170

Power unit support eDrive commercial vehicle (057)

Load carrying equipment in conjunction with lifting table for lifting, lowering and transporting unguided loads up to a weight of 2 tonnes.



Transmission jacks

Art. Nr. 101491

Removal equipment for tank (A-Class) A 60

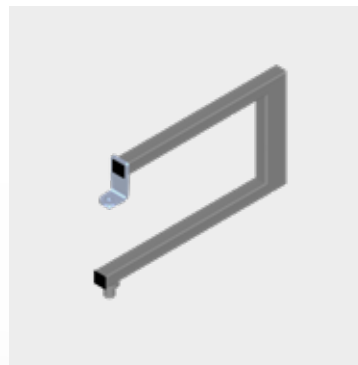
Facilitates installation and removal of tank, secured by tension belts, secure support guaranteed by large plate with rubber support disc. Yellow chromated, Weight: 6 kg, Load capacity: 80 kg



Art. Nr. 3136

Transmission plate GA passenger car

Can be used universally for passenger cars, +/- 10 degrees tiltable on both sides Tension belt for securing the load, large rubber contact area. Pin Ø 35 mm, Dimensions 300 x 240 mm. Galvanised in accordance with DBL 8451.15, Weight: 12 kg, Load capacity: 400 kg. Daimler tool no. W 000 588 10 62 00.



Art. Nr. 118996

C-bracket

For installing and removing clutches and flywheel discs where installation space is limited, e.g. crossbeams. Only in conjunction with a cDISK basic device no. 3745410. Galvanised according to DBL 8451.15, Load capacity: 80 kg Daimler tool no. W 000 588 00 61 07.



Art. Nr. 3745410

Mounting fixture Basic device

Quick and safe removal and installation of the pressure plate is ensured by the ROLLFIT system. Furthermore, the pressure plate remains movable thanks to the ROLLFIT system, plate can be tilted $\pm 10^\circ$. Can be used with transmission jack and assembly crane, galvanised in accordance with DBL 8451.15, Weight 7.5 kg. Load capacity 80 kg, Pin \varnothing 35, 45 and 55 mm (interchangeable) Consisting of: Basic device, transport bracket, mounting arm and interchangeable pins \varnothing 35, 45 and 55 mm. Daimler tool no. W 000 588 00 61 00.



Art. Nr. 101758

Die-cast housing adapter

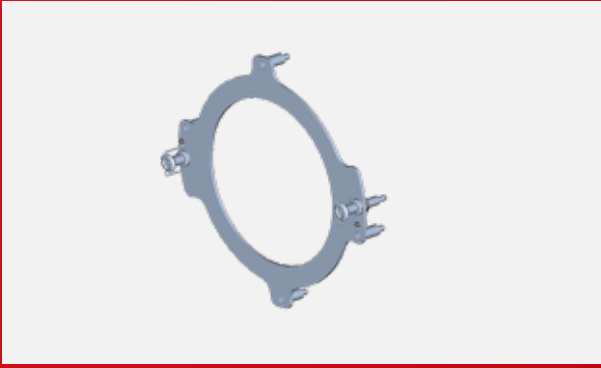
For pressure plates with die-cast housing, securely mounted inside the Belleville washer by means of a rotatable locking mechanism (required for MB A0072501404 A0072505204, for example). Galvanised in accordance with DBL 8451.15, Weight: 6 kg, Load capacity: 80 kg. Daimler tool no. W 000 588 00 61 02.



Art. Nr. 100626

EvoBus add-on kit

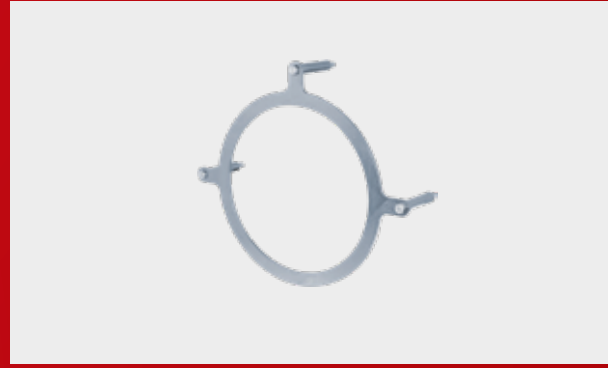
To mount EvoBus pressure plates, the standard rollers are replaced by rollers from the add-on kit. Galvanised in accordance with DBL 8451.15, Weight: 1 kg, Load capacity: 80 kg. Daimler tool no. W 000 588 00 61 03.



Art. Nr. 115927

Mounting adapter for coupling OM 470-473

For removing the coupling on an ACTROS 2010. For the OM470-473 engine series. Bolt circle \varnothing 450 mm. Only in conjunction with a cDISK basic device no. 3745410 galvanised in accordance with DBL 8451.15, Weight: 5 kg, Load capacity: 100 kg. Daimler tool no. W 000 588 00 61 05.



Art. Nr. 3745430

Flywheel adapter

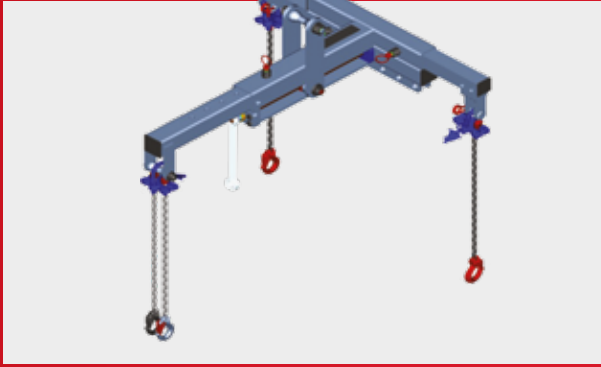
Hexagon bolts ensure a positive fit of the flywheel. Bolt circle \varnothing 450 mm. Only in conjunction with a cDISK basic device no. 3745410 galvanised in accordance with DBL 8451.15, Weight: 2 kg. Daimler tool no. W 000 588 00 61 01.



Art. Nr. 119539

Flywheel adapter

Hexagon bolts ensure a positive fit of the flywheel. Bolt circle \varnothing 450 mm. Additional bolt circles \varnothing 410 mm + 375 mm. Only in conjunction with a cDISK basic device no. 3745410 galvanised in accordance with DBL 8451.15, Weight: 1.5 kg, Load capacity: 80 kg. Daimler tool no. W 000 588 00 61 04.



Art. Nr. 121351

Load controller passenger car

The load controller is only suitable for installing, removing and transporting passenger car engines. For balancing the engine when removing. Any other use is considered improper use. Maximum working angle 39°. Galvanised in accordance with DBL 8451.15, Weight: 30 kg, Load capacity 0.5 t. Daimler tool no. W 000 588 00 62 00.



Art. Nr. W-3180-1950-1

Load controller 2.0 (commercial vehicle)

The load controller is a hand-operated tool, an auxiliary device to help disassemble and assemble engines. It is only approved for operation using an authorised crane. The load controller can be used for engines weighing up to 2000 kg. Galvanised in accordance with DBL 8451.15, Load capacity 2 t. Daimler tool no. W 000 588 02 62 00.



Art. Nr. 116391

Assembly/engine support device for commercial vehicles

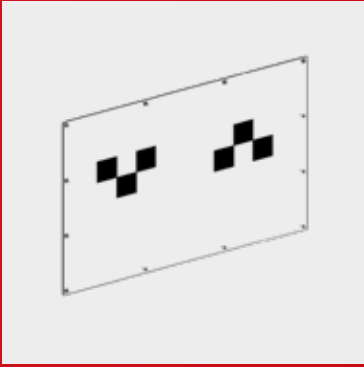
To support the engine when installing and removing the gearbox, for example. For all current and future in-line engines in the Actros, Atego, Axor and Eonic series. The engine support can be positioned on the vehicle using a crane or forklift. Galvanised in accordance with DBL 8451.15, Weight: 70 kg, Load capacity: 2.0 t. Daimler tool no. W 000 588 01 62 00.



Art. Nr. 125050

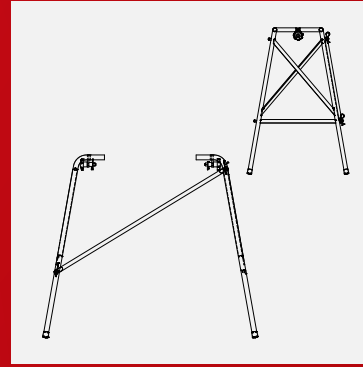
Radar / MB Pickup alignment panel

Alignment device for setting up the radar on vehicles 470/471 (MB Pickup). A commercially available cross line laser is required for this alignment (W 000 588 20 21 00). The cross line laser must be self-levelling and accurate to +/- 2 mm, or better, at 10 m. Weight: 27 kg. Daimler tool no. W 470 588 02 10 00.



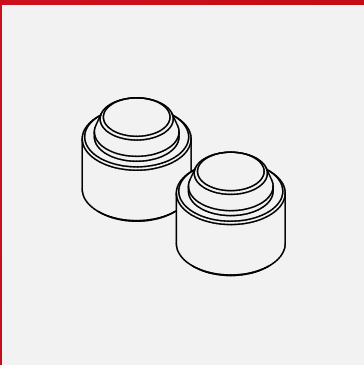
Art. Nr. 125270
Mercedes Benz setting gauge (film)

Daimler tool no. W 470 588 02 23 00.



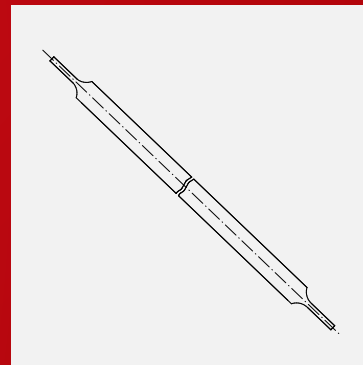
Art. Nr. 3741006

Lowering rack for integral subframe, for W169 589 01 62 00 (special tool MB).



Art. Nr. 100908

Adapter for A-Class from approx. 3/2001 (2 pieces).



Art. Nr. 3741605

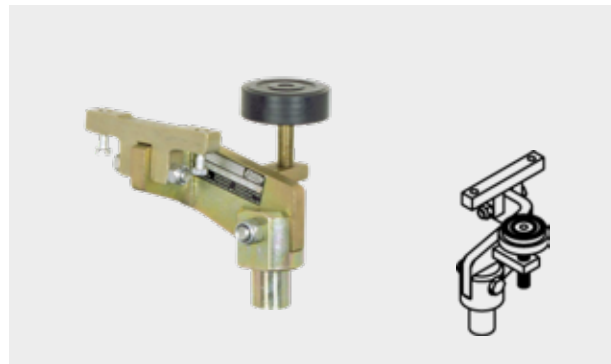
Stabiliser/strut for drop-down rack.



Art. Nr. 37410061

Removal device A12 for integral subframe with drop-down rack (A-Class)

Quick and safe removal and installation of the complete integral subframe and all units in conjunction with a BLITZ transmission jack (e.g. Junior Jack) and a 2-post lift. The integral subframe is removed from below (e.g. to replace the engine). Pin Ø 35 mm. Yellow chromated, Weight: 50 kg, Load capacity: 400 kg.



Art. Nr. 3741500

Removal device for transmission (A-Class) A20

Quick and safe removal and installation of mechanical and automatic transmissions. Adjustable rubber support plate, 2 fastening screws for transmissions. Threaded adjustable rubber support discs and 2 fastening screws securely hold the transmission. Universal mounting plates cannot be used due to the installation dimensions of the transmission. One-man operation possible. Pin Ø 35 mm. Yellow chromated, Weight: 5 kg, Load capacity: 80 kg.



Art. Nr. 3741650

Support system for engine (A-Class) A30

Quick and safe removal and installation of mechanical and automatic transmissions. Adjustable rubber support plate, 2 fastening screws for transmissions. Threaded adjustable rubber support discs and 2 fastening screws securely hold the transmission. Universal mounting plates cannot be used due to the installation dimensions of the transmission. One-man operation possible. Pin Ø 35 mm. Yellow chromated, Weight: 5 kg, Load capacity: 80 kg.



Art. Nr. 3741550

Removal device for rear axle (A-Class) A40

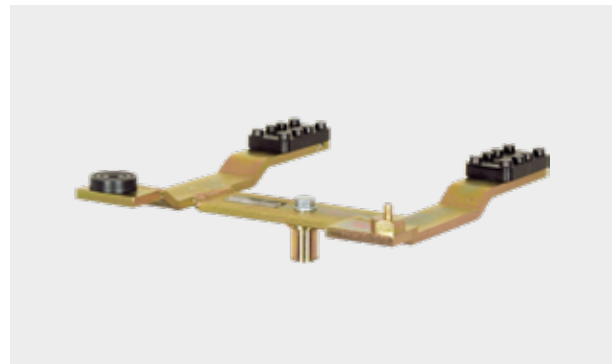
Simple and safe removal and installation of the rear axle in damaged vehicles, for example. Specialised axle holders. Special mounts prevent the axle from turning due to uneven weight distribution. Height-adjustable, threaded rubber discs (to protect the load) One-man operation possible - the removal of rear axles with standard workshop equipment requires several employees. Pin Ø 35 mm. Yellow chromated, Weight: 10 kg, Load capacity: 200 kg.



Art. Nr. 3745006

Lifting platform safety device (A-Class) A50

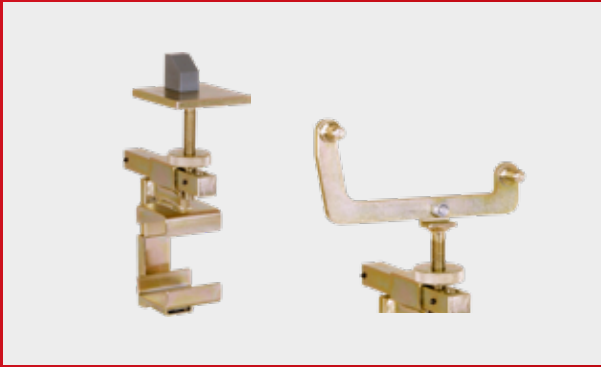
Tools for securing Mercedes-Benz A-Class vehicles on 2-post lifts (Mi Mercedes-Benz approval).



Art. Nr. 3745002

Removal device for rear/front axle M40

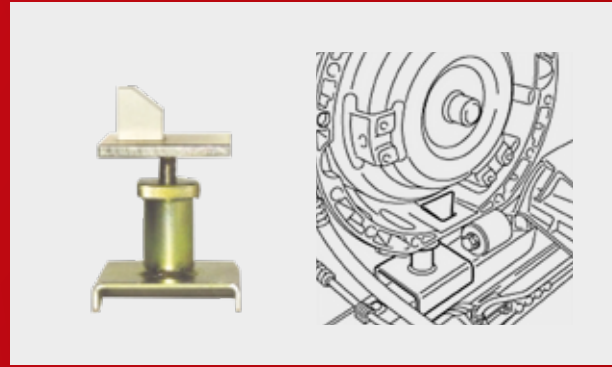
For removing the front and rear axle on the M-Class. In conjunction with a suitable telescopic lift. Pin Ø 35 mm. Yellow chromated, Weight: 10 kg, Load capacity: 0.4 t. Daimler tool no. W 000 588 04 31 00.



Art. Nr. 3745350

Transmission support (M-Class) M20-1

Supports the transmission and secures the converter when removing the engine, attachment between the front axle and transmission, height adjustment via spindle, attachment as a bracket for the converter necessary before removing the engine, suitable for all M-Class engine and transmission variants. Yellow chromated, Weight: 1.5 kg, Load capacity: 200 kg.



Art. Nr. 3745003

Transmission support

Supports the transmission and secures the converter when removing the engine. Easy positioning between front axle and transmission Height adjustment via robust spindle with knurled nut Mounting as a bracket for the converter necessary before removing the engine. Yellow chromated, Weight: 1 kg, Load capacity: 200 kg.



Art. Nr. 3745001

Engine lifting device base frame M30

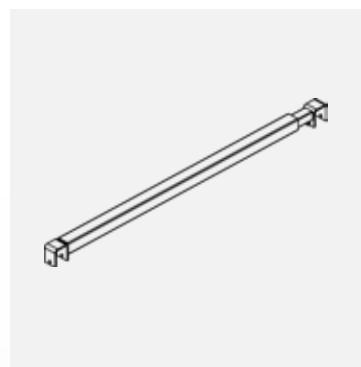
When removing and installing the engine mount, engine oil pan, etc., the engine must be secured (held) in position or lifted slightly. Lifting device attached directly above the engine compartment. Engine suspended via the mounting eyelet. Robust spindle for safe height adjustment. Universal design thanks to interchangeable support feet depending on vehicle type, 1 set of support feet for BR 202/207/170. Yellow chromated, Weight: 15 kg, Load capacity: 360 kg.



Art. Nr. 374500110

Adapter engine lifting device M 30-1

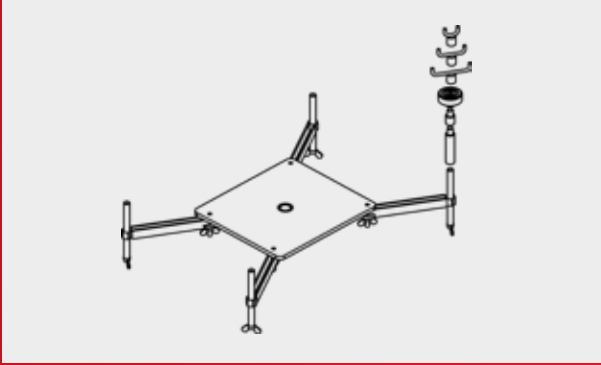
Adapter for C-Class (BR203), S-Class (BR220/W215), M-Class with 4-cylinder engine.



Art. Nr. 374500114

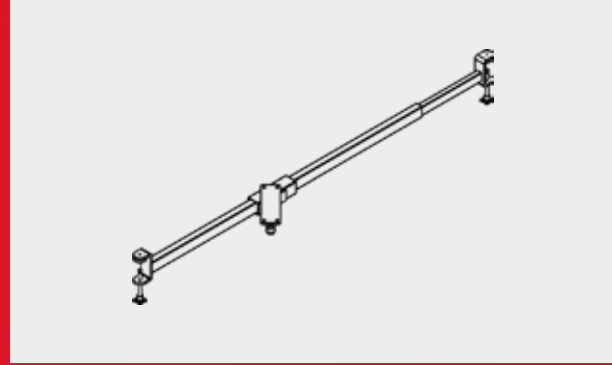
Adapter for SL (R230) SL 01

Adaption SL01 for SL.



Art. Nr. 103802
Engine plate with supporting arms (Porsche) GAP

A particularly versatile engine plate for the removal and installation of engines, transmissions, axles, exhaust systems, etc. Extendable supporting arms with integrated threaded spindles and numerous support components allow easy adaptation to different mounting requirements. Delivery includes: Engine plate with 4 supporting arms and built-in threaded spindles, 4 each for U 120, U 80, U 35, rubber support disc, extension for threaded spindle 120 mm and 2 chains 1000 mm, pin Ø 35 mm. Dimensions min. 410 x 460 mm, dimensions max. 1110 x 1160 mm. Load capacity: 200 kg.

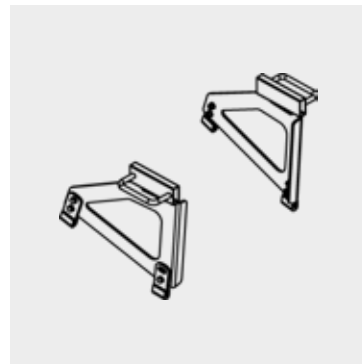


Art. Nr. 103360
Securing the vehicle (Maybach) MY 10

Tool used to secure Maybach vehicles (short and long version) on 2-post lifts (with Mercedes-Benz approval).

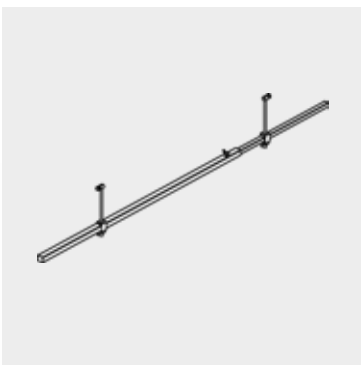


Art. Nr. 3745650
 Adapter for C-Class
 (BR203) C 01.

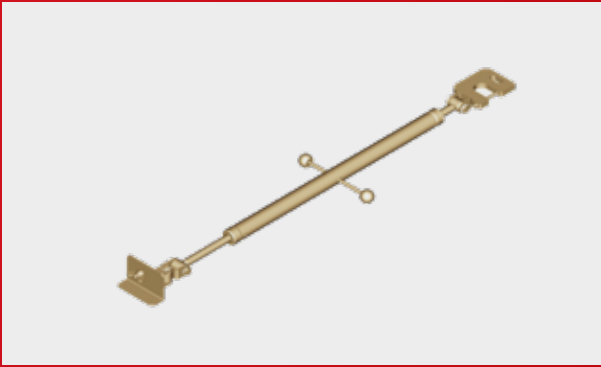


Art. Nr. 107907
Adapter engine lifting device (R251)

Only with basic unit M30
 2 side panels, which are attached to the mudguard fold.



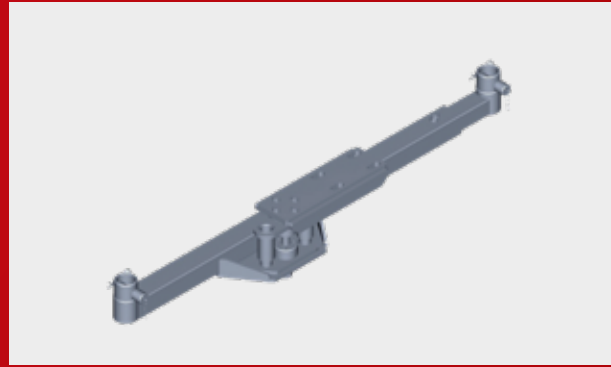
Art. Nr. 105840
 Securing the vehicle
 (Vito/Viano) V40.



Art. Nr. 3745770

Cab holding device (Atego) AT01

For Atego cab with torsion bar suspension, form-fit mounting on the frame and cab. Sensitive threaded spindle enables the cab to be secured and adjusted. Yellow chromated, Weight: 10 kg.



Art. Nr. 107170

Cross member to support engine 457hLA (EvoBus/Kombi)

Stand-alone tool. Required when removing the transmission to support the engine (engine/transmission combination is suspended on three bearings. When the transmission is removed, two bearings are omitted, so the cross member takes over the supporting function on the engine). Lowering and lifting is possible thanks to the built-in spindle. Load capacity: 1 t.



Art. Nr. 3745330

Cab mounting bolt (Atego)

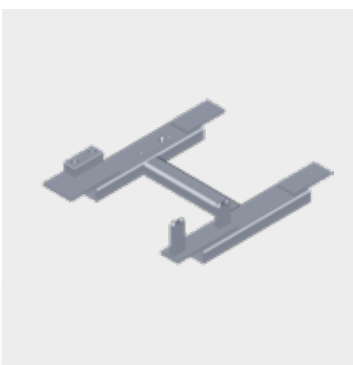
When assembling and disassembling the cab, the mounting bolts are inserted using quick-release fasteners. (2 required per cab) Yellow chromated, Weight: 1 kg, Load capacity: 250 kg.



Art. Nr. 101492

Universal cab holding device (lorry) AC03

When tilted, height of the cab is adjusted using a locking pin. Mounting on the frame and on the cab. Yellow chromated, Weight: 7.5 kg.



Art. Nr. 3745830

BLITZ adapter for CDI engine V00-1

Adapter for CDI engine
Weight: 15 kg, Load capacity: 250 kg.

Technical changes reserved.
Data are considered advertisement.
Workshop-Equipment-Special-Tools-BR-EN-2024-05

